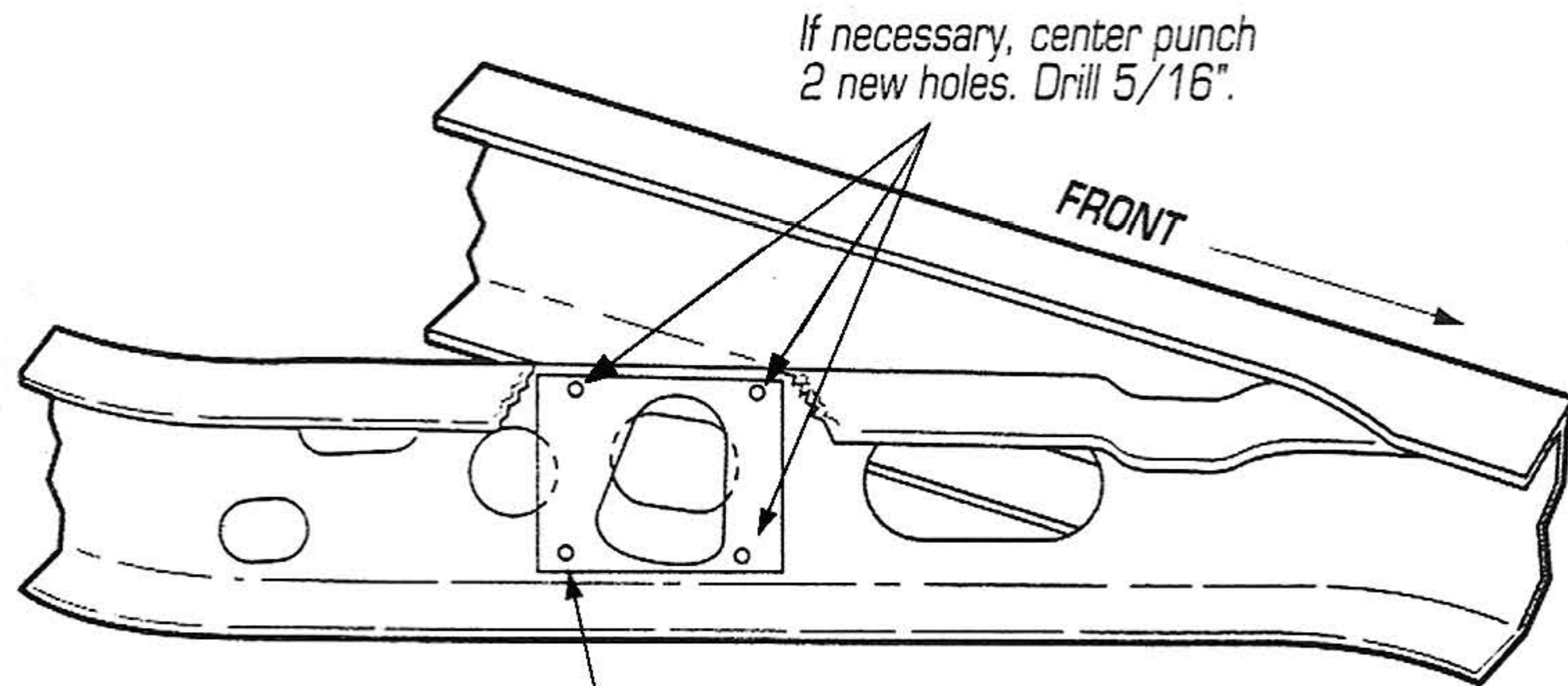
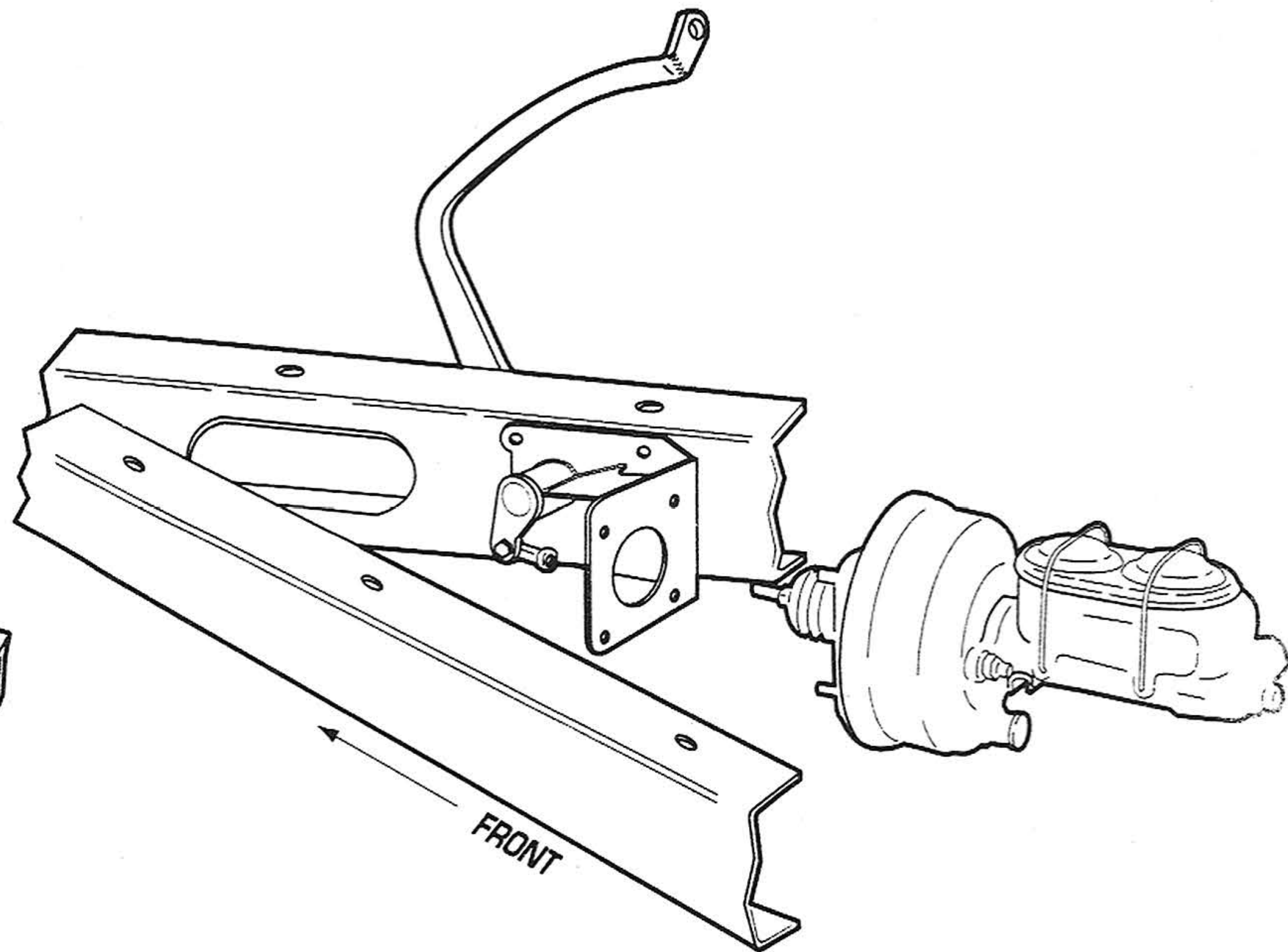


'35-'41 FORD POWER BRAKE PEDAL ASSEMBLY

Mounting the '35-'41 Ford power brake pedal assembly requires some minor cutting and redrilling. Using the template provided on the back of this sheet, and the instructions below, the pedal assembly should be easily installed.



Line up holes in the paper template with the holes in the frame. Top of template should be parallel with top of x-member. Mark and cut out excess metal that is not covered by template.



'35 - '48 FORD

