

10% OFFPLUS **FREE*** Wilwood

LIMITED TIME OFFERS



1970-1981 CAMARO & FIREBIRD

PRO TOURING IFS

- True bolt-in with no cutting or welding required
- Greatly improves weight distribution by removing 120 lbs. off the front end.

[Click Here](#) for product details

FREE Wilwood Calipers

\$400 Value

Retail: \$6,976

Save: **\$698**

Your Price: **\$6,278**



Shown with optional show package and 12" Wilwood brake kit.

Painting & powder coating for display only

TORQUE ARM REAR SUSPENSION

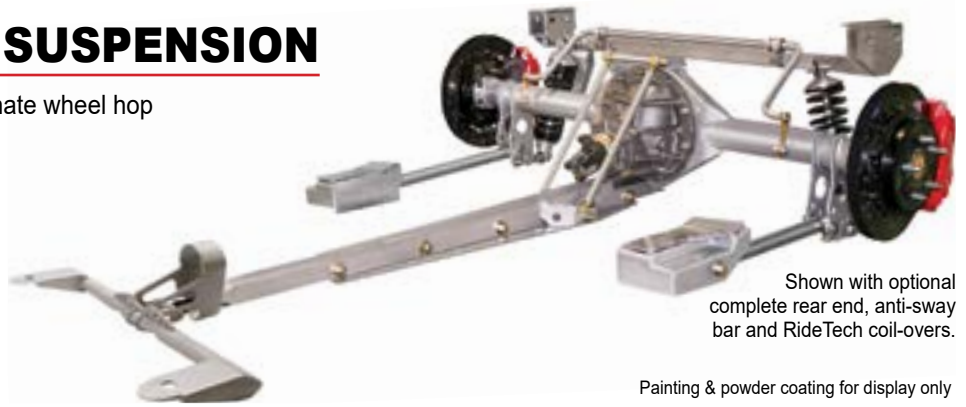
- Un-equal length adjustable 4-link bars eliminate wheel hop
- Eliminates bind during articulation.

[Click Here](#) for product details

Retail: \$2,681

Save: **\$268**

Your Price: **\$2,413**



Shown with optional complete rear end, anti-sway bar and RideTech coil-overs.

Painting & powder coating for display only

COMPLETE PACKAGE DEALS

FREE & FAST SHIPPING

FREE Wilwood Master Cylinder Prop. Valve Combo (\$335 Value)



OR

FREE Headers



Painting & powder coating for display only

Save **\$1,474**

STAGE 1

Retail: ~~\$14,736~~

Your Price: **\$13,262**

Pro Touring IFS

- RideTech single adjustable coil-over shocks
- Black powder coated springs
- Bolt-in multi position transmission mount is included
- Greasable urethane bushings
- 1" Performance anti-roll bar
- 1 1/2" x .156w U.S. DOM steel lower tubular A-arms
- 1" x .156w U.S. DOM steel upper tubular A-arms
- Power rack and pinion
- Spindles (2" drop)
- Engine brackets
- Engine mounts (SBC, BBC or LSx)
- 11" Drilled & slotted zinc plated rotors
- Big bore calipers (with 20% better clamping force)

Torque Arm Rear Suspension

- Ridetech single adjustable coil-overs
- Adjustable pinion support tubes with rod ends with tabs and install tool
- Axle housing brackets with torque arm tabs and install tool
- 1 1/4" High Pperformance link bars
- 1 3/4" Torque arm with slider & reinforcing flanges
- 1 1/2" Coil-over crossmember with channel brackets
- 1" Adjustable Panhard bar with LH & RH rod ends
- 1 3/4" Crossmember with drive shaft loop
- 1 3/4" Sub-frame connectors
- Rear anti-roll bar kit (plain)
- Bolt-on trailing arm channel brackets
- Floor reinforcing plates and hardware
- Greasable urethane bushing
- All American coil-over shocks

Complete 9" Rear End

- Currie round back housing with late/large Ford bearing flanges (width of your choice)
- All TCI suspension bracketry installed and fixture welded
- Nodular 3rd member with your choice of new gear sets ranging from (3:00 to 4:56)
- 31 Spline axles with new tapered bearings, seals and axle studs
- 12" Hi-Tech rear disc brake kit (GM caliper)
- Axle brackets fully welded
- 1330 Yoke (long)
- Your choice of 4.5" or 4.75" bolt circles
- TSD Posi
- Gear lube and Posi lube

Save **\$1,694**

STAGE 2

~~\$16,944~~ **\$15,250**

- Upgrade to 12" Wilwood drilled/slotted rotors & 4 piston calipers
- Upgrade from TSD (clutch type) to Tru-Trac (gear type) Posi

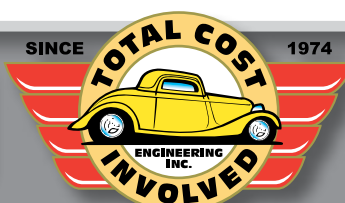
Save **\$2,008**

STAGE 3

~~\$20,076~~ **\$18,068**

- Upgrade to 13" Wilwood drilled/slotted rotors and 6 piston (front) & 4 Piston (rear) calipers
- Upgrade from TSD (clutch type) to Tru-Trac (gear type) Posi
- Upgrade from the round back 9" housing to a Fabricated 9 (F9)

DUAL WARRANTY
LIFETIME WARRANTY ON TCI MANUFACTURED ITEMS
6 YEAR/60,000 MILE WARRANTY ON WEAR & TEAR ITEMS



FAST SHIPPING
MADE IN USA • UNMATCHED WARRANTY

CALL NOW!

1.866.925.1103

• **TOTALCOSTINVOLVED.COM**