

Save 10%**Unmatched Warranty. Fastest Lead Time!**

SINCE 1974
TOTAL COST INVOLVED
 MADE IN USA
 ENGINEERING INC.

**1948-1964 FORD TRUCK****5-PIECE TOTAL PACKAGE****'53-64 FORD F1 & F100**

1. Custom IFS
2. 4-Link Rear Suspension
3. Power Pedal Assembly
4. Engine Mounts
5. Trans Mount

\$199
 FLAT FEE
 SHIPPING

Retail: \$6,824

Save: **\$682**Your Price: **\$6,142**

Painting & powder coating for display only

'48-64 FORD F1 & F100

1. Coil-Spring IFS
2. Parabolic Leaf Spring Rear Suspension
3. Power Pedal Assembly
4. Engine Mounts
5. Trans Mount

\$199
 FLAT FEE
 SHIPPING

Retail: \$4,644

Save: **\$464**Your Price: **\$4,180**

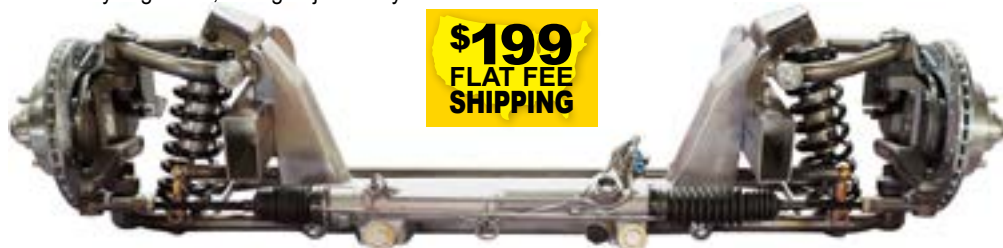
Painting & powder coating for display only

'53-64 PRO-TOURING IFS

- Custom spindles and steering allow us to control every portion of suspension geometry
- The upper control arm mounting brackets provides easy alignment, tuning adjustability and control of camber and caster

[Click Here](#) for product details

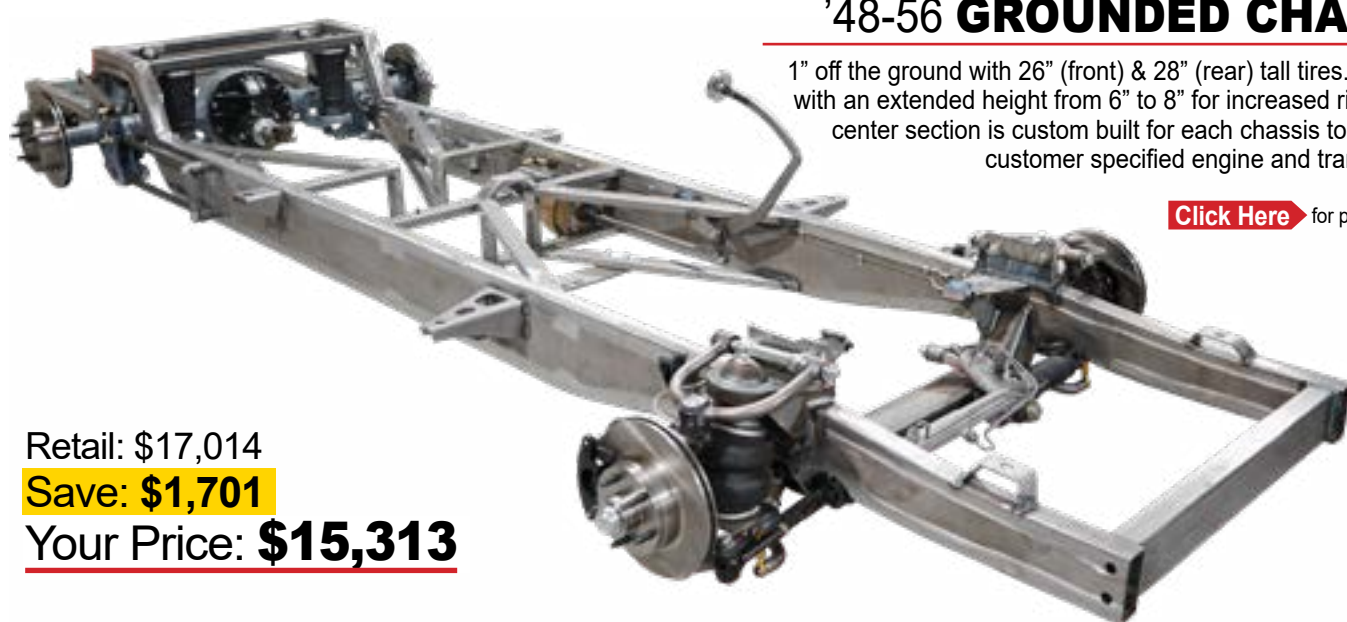
Retail: \$4,535

Save: **\$453**Your Price: **\$4,082**

\$199
 FLAT FEE
 SHIPPING

'48-56 GROUNDED CHASSIS

1" off the ground with 26" (front) & 28" (rear) tall tires. Main rails with an extended height from 6" to 8" for increased rigidity. The center section is custom built for each chassis to match the customer specified engine and transmission.

[Click Here](#) for product details

Retail: \$17,014

Save: **\$1,701**Your Price: **\$15,313****'53-56 F100 PRO-TOURING CHASSIS**

We began with our tried & true 8" tall main frame rails that follow the original frame profile. Performance Pro-Touring IFS and Torque Arm Rear Suspension.

[Click Here](#) for product details

Retail: \$17,038

Save: **\$1,704**Your Price: **\$15,334****'48-56 CUSTOM IFS & 4-LINK CHASSIS**

- 8" Tall fully boxed frame rails offer exceptional strength and rigidity
- Lowered stance and center of gravity provide superior handling

[Click Here](#) for product details

Painting & powder coating for display only

Retail: \$15,384

Save: **\$1,538**Your Price: **\$13,846****'48-56 COIL SPRING IFS & LEAF SPRING CHASSIS**

- This chassis design is engineered for a cleaner look and excellent ride quality
- Custom built center section offers strength while still allowing exhaust clearance

[Click Here](#) for product details

½ ton trucks. Painting & powder coating for display only

Retail: \$14,190

Save: **\$1,419**Your Price: **\$12,771**

DUAL WARRANTY
 LIFETIME WARRANTY ON TCI MANUFACTURED ITEMS
 6 YEAR/60,000 MILE WARRANTY ON WEAR & TEAR ITEMS



FAST SHIPPING
 MADE IN USA • UNMATCHED WARRANTY

CALL NOW! **1.866.925.1103** • **TOTALCOSTINVOLVED.COM**