

Save 10%

PLUS \$500 TOWARDS CHASSIS UPGRADES

Call for the **FASTEST Lead Time in the Industry!**



1948-1964 FORD TRUCK

5-PIECE TOTAL PACKAGE

'53-64 FORD TRUCK

1. Custom IFS
2. 4-Link Rear Suspension
3. Power Pedal Assembly
4. Engine Mounts
5. Trans Mount

\$150
FLAT FEE
SHIPPING

Retail: \$6,378

Save: **\$638**

Your Price: **\$5,740**



Painting & powder coating for display only

'48-64 FORD TRUCK

1. Coil-Spring IFS
2. Parabolic Leaf Spring Rear Suspension
3. Power Pedal Assembly
4. Engine Mounts
5. Trans Mount

\$150
FLAT FEE
SHIPPING

Retail: \$4,343

Save: **\$434**

Your Price: **\$3,909**



Painting & powder coating for display only

'53-64 PRO-TOURING IFS

- Custom spindles and steering allow us to control every portion of suspension geometry
- The upper control arm mounting brackets provides easy alignment, tuning adjustability and control of camber and caster

[Click Here](#) for product details

Retail: \$4,319

Save: **\$432**

Your Price: **\$3,887**



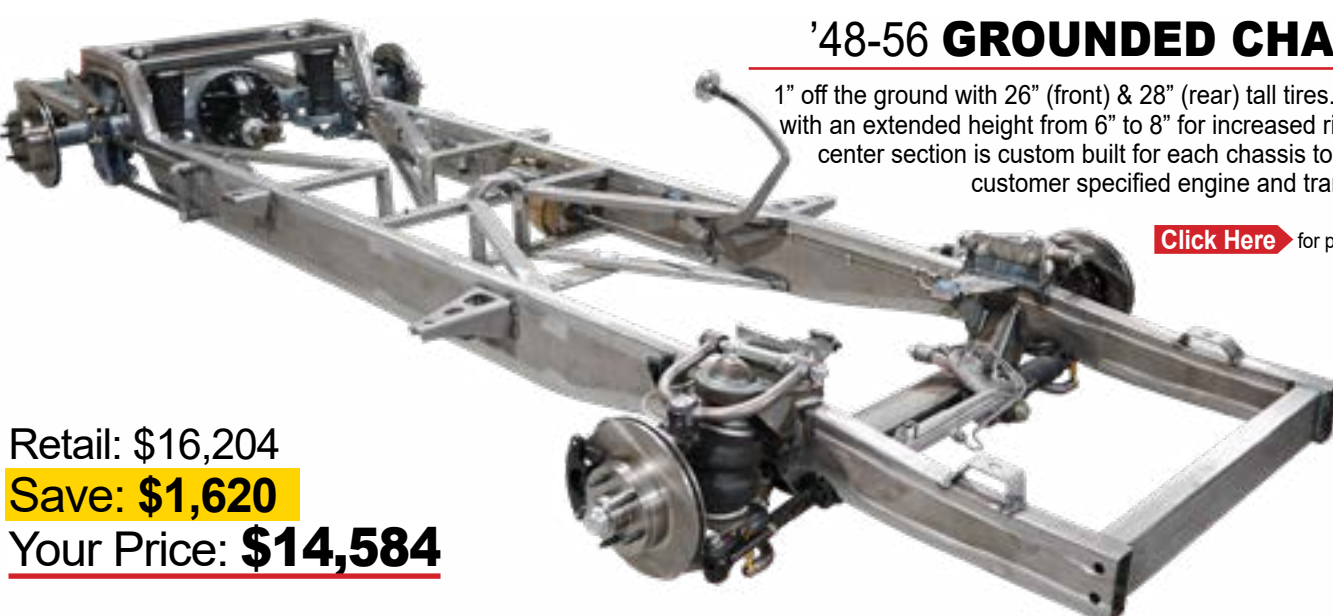
\$150
FLAT FEE
SHIPPING

Get **10% Off** Plus **\$500** towards chassis upgrades

'48-56 GROUNDED CHASSIS

1" off the ground with 26" (front) & 28" (rear) tall tires. Main rails with an extended height from 6" to 8" for increased rigidity. The center section is custom built for each chassis to match the customer specified engine and transmission.

[Click Here](#) for product details



Retail: \$16,204

Save: **\$1,620**

Your Price: **\$14,584**

'53-56 F100 PRO-TOURING CHASSIS

We began with our tried & true 8" tall main frame rails that follow the original frame profile. Performance Pro-Touring IFS and Torque Arm Rear Suspension.

[Click Here](#) for product details

Retail: \$16,227

Save: **\$1,623**

Your Price: **\$14,604**



'48-56 CUSTOM IFS & 4-LINK CHASSIS

- 8" Tall fully boxed frame rails offer exceptional strength and rigidity
- Lowered stance and center of gravity provide superior handling

[Click Here](#) for product details

Painting & powder coating for display only

Retail: \$14,652

Save: **\$1,465**

Your Price: **\$13,187**



'48-56 COIL SPRING IFS & LEAF SPRING CHASSIS

- This chassis design is engineered for a cleaner look and excellent ride quality
- Custom built center section offers strength while still allowing exhaust clearance

[Click Here](#) for product details

½ ton trucks.

Painting & powder coating for display only

Retail: \$13,515

Save: **\$1,351**

Your Price: **\$12,164**



DUAL WARRANTY
LIFETIME WARRANTY ON TCI MANUFACTURED ITEMS
6 YEAR/60,000 MILE WARRANTY ON WEAR & TEAR ITEMS



FAST SHIPPING
MADE IN USA • UNMATCHED WARRANTY

CALL NOW! **1.866.925.1103** • **TOTALCOSTINVOLVED.COM**