

CELEBRATING 50<sup>th</sup> ANNIVERSARY**Save 10%***Best Deal!*

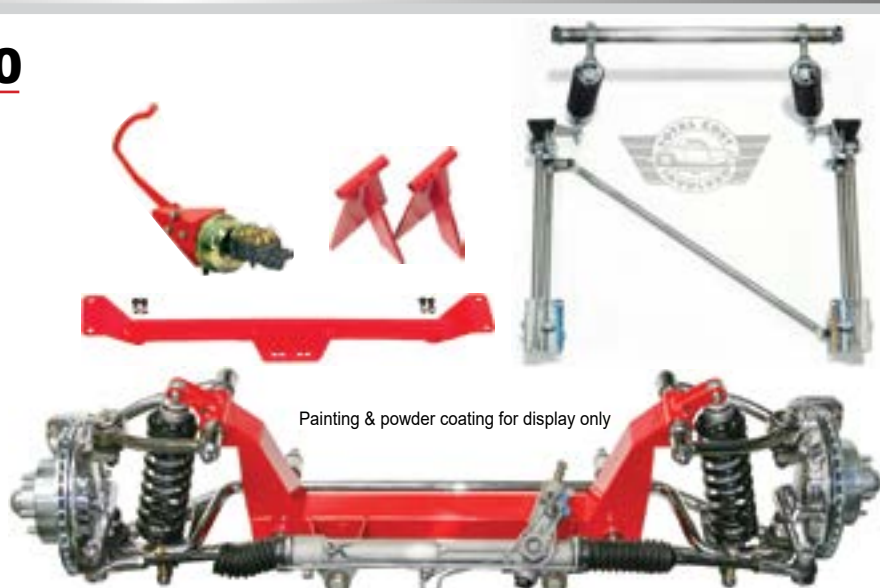
- + **FREE** Freight on Suspension
- + **50% OFF** Freight on Chassis

**1948-1964 FORD TRUCK****5-PIECE TOTAL PACKAGE****'53-64 FORD F1 & F100**

1. Custom IFS
  2. 4-Link Rear Suspension
  3. Power Pedal Assembly
  4. Engine Mounts
  5. Trans Mount
- + Ridetech Coil-Over Option Included

**SHOP NOW****FREE SHIPPING**  
Lower 48 states

Retail: \$8,131

Save: **\$813**Your Price: **\$7,318**

Painting &amp; powder coating for display only

**'48-64 FORD F1 & F100**

1. Coil-Spring IFS
2. Parabolic Leaf Spring Rear Suspension
3. Power Pedal Assembly
4. Engine Mounts
5. Trans Mount

**SHOP NOW****FREE SHIPPING**  
Lower 48 states

Retail: \$5,219

Save: **\$522**Your Price: **\$4,697**

Painting &amp; powder coating for display only

**'53-64 PRO-TOURING IFS**

- Custom spindles and steering allow us to control every portion of suspension geometry
- The upper control arm mounting brackets provides easy alignment, tuning adjustability and control of camber and caster

**SHOP NOW****FREE SHIPPING**  
Lower 48 states

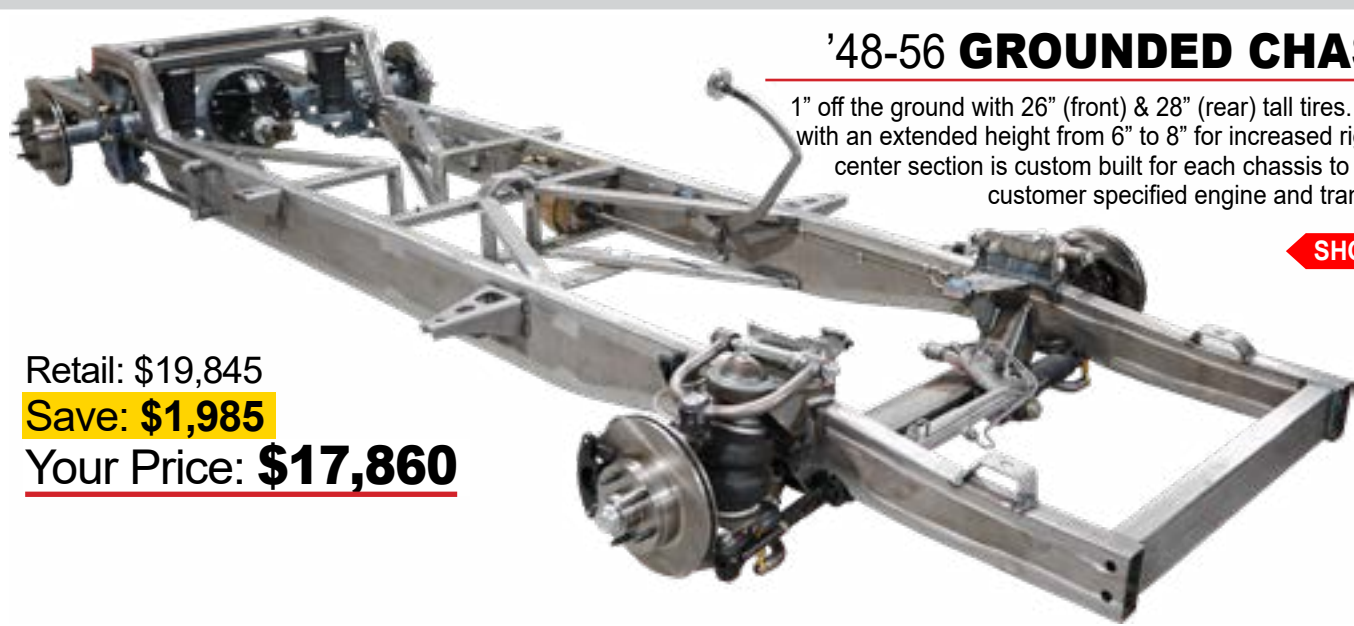
Retail: \$5,289

Save: **\$529**Your Price: **\$4,760**Save **10%** Plus **50% OFF** Freight on chassis**'48-56 GROUNDED CHASSIS**

1" off the ground with 26" (front) & 28" (rear) tall tires. Main rails with an extended height from 6" to 8" for increased rigidity. The center section is custom built for each chassis to match the customer specified engine and transmission.

**SHOP NOW**

Retail: \$19,845

Save: **\$1,985**Your Price: **\$17,860****'48-56 PRO-TOURING CHASSIS**

We began with our tried & true 8" tall main frame rails that follow the original frame profile. Performance Pro-Touring IFS and Torque Arm Rear Suspension.

**SHOP NOW**

Retail: \$19,873

Save: **\$1,987**Your Price: **\$17,886****'48-56 CUSTOM IFS & 4-LINK CHASSIS**

- 8" Tall fully boxed frame rails offer exceptional strength and rigidity
- Lowered stance and center of gravity provide superior handling

**SHOP NOW**

Retail: \$17,944

Save: **\$1,794**Your Price: **\$16,150**

Painting &amp; powder coating for display only

**'48-56 COIL SPRING IFS & LEAF SPRING CHASSIS**

- This chassis design is engineered for a cleaner look and excellent ride quality
- Custom built center section offers strength while still allowing exhaust clearance

**SHOP NOW**

Retail: \$16,551

Save: **\$1,655**Your Price: **\$14,896**

½ ton trucks. Painting &amp; powder coating for display only



**DUAL WARRANTY**  
LIFETIME WARRANTY ON TO MANUFACTURED ITEMS  
6 YEAR/60,000 MILE WARRANTY ON WEAR & TEAR ITEMS

**FAST SHIPPING**

MADE IN USA • UNMATCHED WARRANTY

CALL NOW! **1-866-925-1103****TOTALCOSTINVOLVED.COM**