

Save 10%

Unmatched Warranty. Fastest Lead Time!

SINCE 1974
TOTAL COST INVOLVED
ENGINEERING INC.
MADE IN USA**1948-1964 FORD TRUCK****5-PIECE TOTAL PACKAGE****'53-64 FORD F1 & F100**

1. Custom IFS
2. 4-Link Rear Suspension
3. Power Pedal Assembly
4. Engine Mounts
5. Trans Mount

SHOP NOW**\$299**
FLAT-FEE
SHIPPING

Retail: \$7,370

Save: **\$737**Your Price: **\$6,633**

Painting & powder coating for display only

'48-64 FORD F1 & F100

1. Coil-Spring IFS
2. Parabolic Leaf Spring Rear Suspension
3. Power Pedal Assembly
4. Engine Mounts
5. Trans Mount

SHOP NOW**\$299**
FLAT-FEE
SHIPPING

Retail: \$4,832

Save: **\$483**Your Price: **\$4,349**

Painting & powder coating for display only

'53-64 PRO-TOURING IFS

- Custom spindles and steering allow us to control every portion of suspension geometry
- The upper control arm mounting brackets provides easy alignment, tuning adjustability and control of camber and caster

SHOP NOW

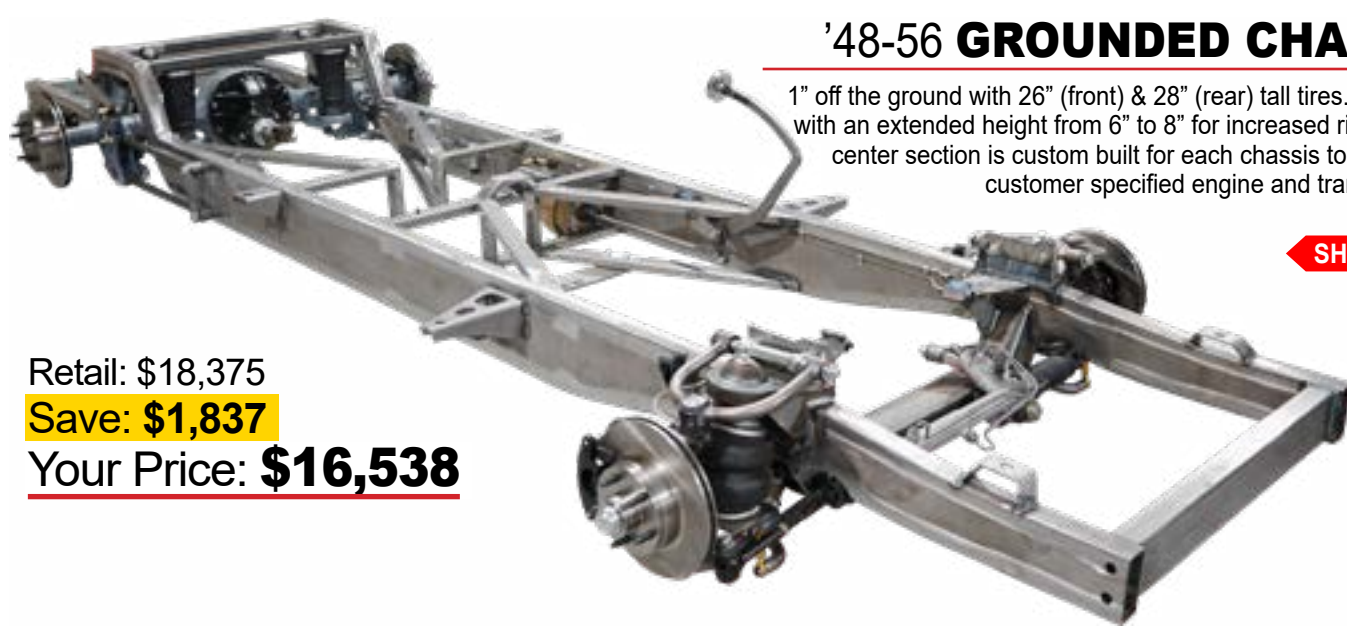
Retail: \$4,897

Save: **\$490**Your Price: **\$4,407****\$299**
FLAT-FEE
SHIPPING**'48-56 GROUNDED CHASSIS**

1" off the ground with 26" (front) & 28" (rear) tall tires. Main rails with an extended height from 6" to 8" for increased rigidity. The center section is custom built for each chassis to match the customer specified engine and transmission.

SHOP NOW

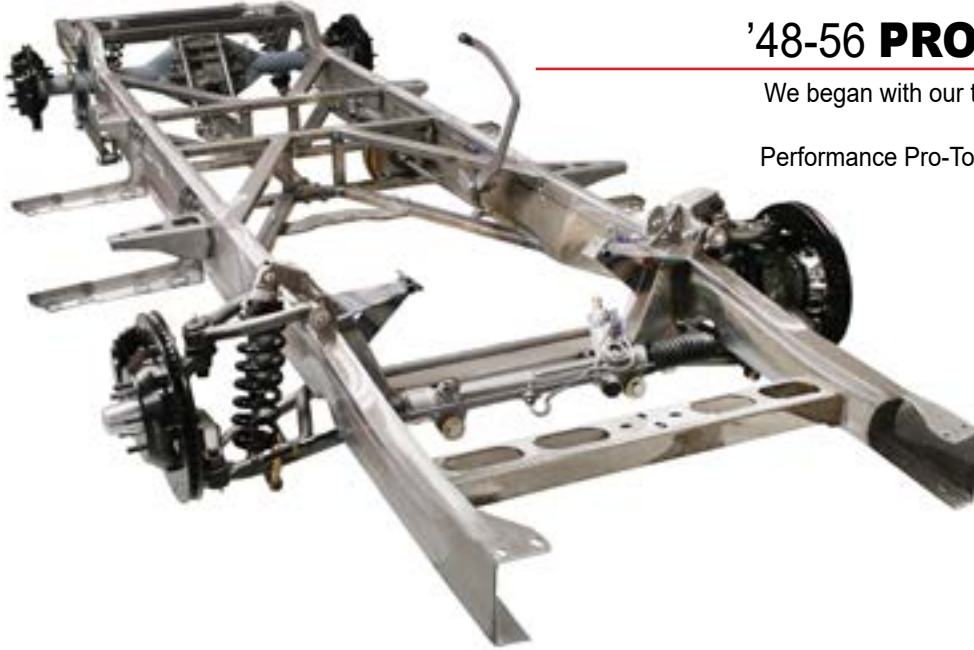
Retail: \$18,375

Save: **\$1,837**Your Price: **\$16,538****'48-56 PRO-TOURING CHASSIS**

We began with our tried & true 8" tall main frame rails that follow the original frame profile. Performance Pro-Touring IFS and Torque Arm Rear Suspension.

SHOP NOW

Retail: \$18,401

Save: **\$1,840**Your Price: **\$16,561****'48-56 CUSTOM IFS & 4-LINK CHASSIS**

- 8" Tall fully boxed frame rails offer exceptional strength and rigidity
- Lowered stance and center of gravity provide superior handling

SHOP NOW

Retail: \$16,615

Save: **\$1,662**Your Price: **\$14,953**

Painting & powder coating for display only

**'48-56 COIL SPRING IFS & LEAF SPRING CHASSIS**

- This chassis design is engineered for a cleaner look and excellent ride quality
- Custom built center section offers strength while still allowing exhaust clearance

SHOP NOW

Retail: \$15,325

Save: **\$1,532**Your Price: **\$13,793**½ ton trucks.
Painting & powder coating for display only

DUAL WARRANTY
LIFETIME WARRANTY ON TCI MANUFACTURED ITEMS
6 YEAR/60,000 MILE WARRANTY ON WEAR & TEAR ITEMS



FAST SHIPPING
MADE IN USA • UNMATCHED WARRANTY

CALL NOW!

1.866.925.1103• **TOTALCOSTINVOLVED.COM**