

Save 10%

PLUS \$500 TOWARDS CHASSIS UPGRADES

Call for the **FASTEST Lead Time in the Industry!****1937-1959 CHEVY TRUCK****5-PIECE TOTAL PACKAGE****'47-59 CHEVY TRUCK**

1. Custom IFS
2. 4-Link Rear Suspension
3. Power Pedal Assembly
4. Engine Mounts
5. Trans Mount

\$150
FLAT FEE
SHIPPING

Retail: \$6,378

Save: **\$638**Your Price: **\$5,740**

Painting & powder coating for display only

'37-59 CHEVY TRUCK

1. Coil-Spring IFS
2. Parabolic Leaf Spring Rear Suspension
3. Power Pedal Assembly
4. Engine Mounts
5. Trans Mount

\$150
FLAT FEE
SHIPPING

Retail: \$4,343

Save: **\$434**Your Price: **\$3,909**<< Not included
for '55-59

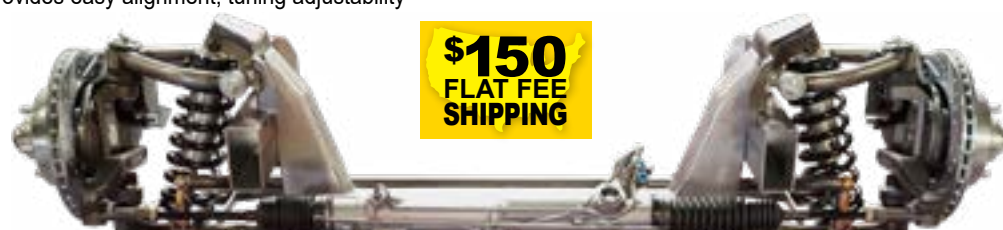
Painting & powder coating for display only

'55-59 PRO-TOURING IFS

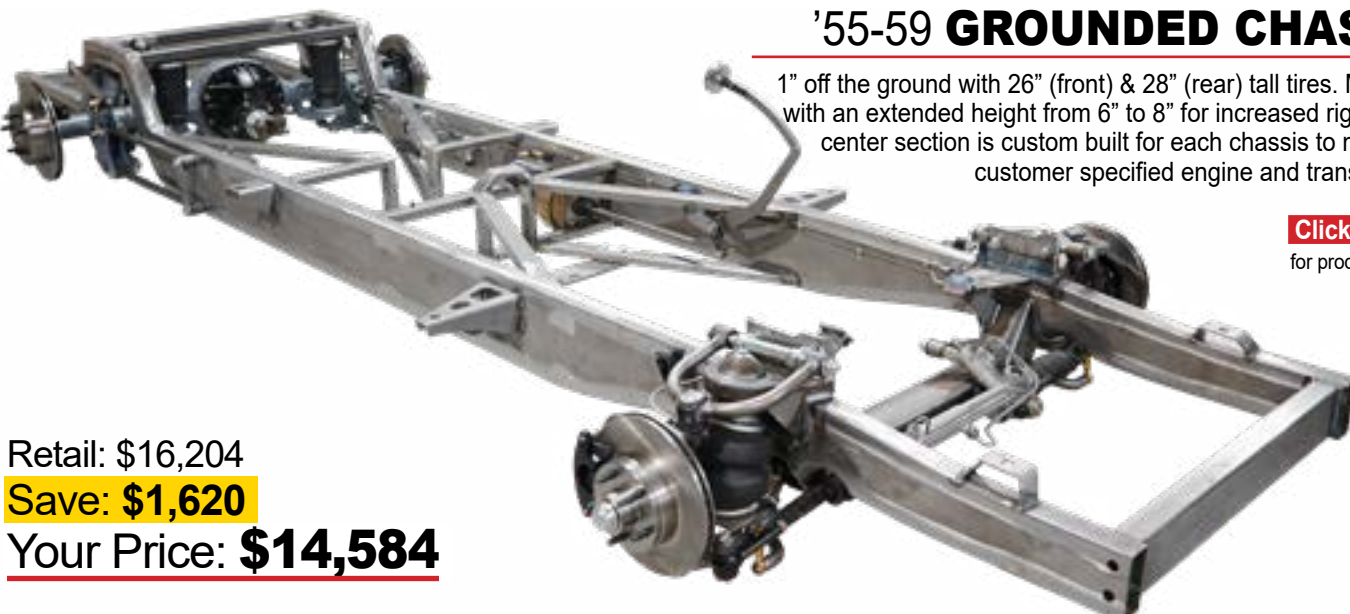
- Custom spindles and steering allow us to control every portion of suspension geometry
- The upper control arm mounting brackets provides easy alignment, tuning adjustability and control of camber and caster

[Click Here](#) for product details

Retail: \$4,319

Save: **\$432**Your Price: **\$3,887****\$150**
FLAT FEE
SHIPPINGSave **10% Off** Plus **\$500** towards chassis upgrades**'55-59 GROUNDED CHASSIS**

1" off the ground with 26" (front) & 28" (rear) tall tires. Main rails with an extended height from 6" to 8" for increased rigidity. The center section is custom built for each chassis to match the customer specified engine and transmission.

[Click Here](#)
for product details

Retail: \$16,204

Save: **\$1,620**Your Price: **\$14,584****'55-59 PRO-TOURING CHASSIS**

- We began with our tried & true 8" tall main frame rails that follow the original frame profile.
- Performance Pro-Touring IFS and Torque Arm Rear Suspension.

[Click Here](#) for product details

Retail: \$16,227

Save: **\$1,623**Your Price: **\$14,604****'47-54 GROUNDED CHASSIS**

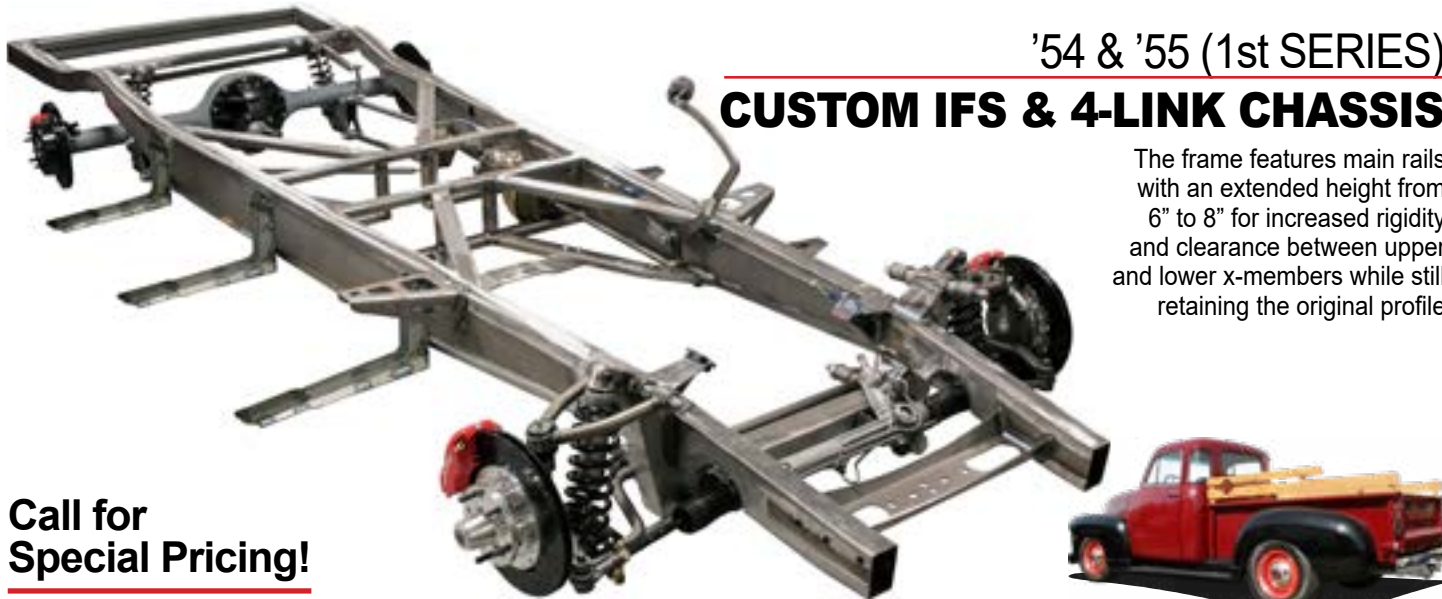
- Stepped rail design provides enough wheel travel to lay the running boards on the ground
- Fully plumbed air bag set up provides ultimate control of ride height

[Click Here](#)
for product detailsPainting & powder
coating for display only

Retail: \$16,204

Save: **\$1,620**Your Price: **\$14,584****'54 & '55 (1st SERIES)
CUSTOM IFS & 4-LINK CHASSIS**

The frame features main rails with an extended height from 6" to 8" for increased rigidity and clearance between upper and lower x-members while still retaining the original profile

**Call for
Special Pricing!****'47-59 CUSTOM IFS & 4-LINK CHASSIS**

- 8" Tall fully boxed frame rails offer exceptional strength and rigidity
- Lowered stance and center of gravity provide upper handling

[Click Here](#)
for product detailsShown with optional
show package,
Wilwood 12" brake kit
and F9 housing.Painting & powder
coating for display only

Retail: \$14,652

Save: **\$1,465**Your Price: **\$13,187****'47-59 COIL SPRING IFS & LEAF SPRING CHASSIS**

- This chassis design is engineered for a cleaner look and excellent ride quality
- Custom built center section offers strength while still allowing exhaust clearance

[Click Here](#)
for product details

½ ton trucks.

Painting & powder
coating for display only

Retail: \$13,515

Save: **\$1,351**Your Price: **\$12,164**

DUAL WARRANTY
LIFETIME WARRANTY ON TCI MANUFACTURED ITEMS
6 YEAR/60,000 MILE WARRANTY ON WEAR & TEAR ITEMS

FAST SHIPPING
MADE IN USA • UNMATCHED WARRANTY

CALL NOW! **1.866.925.1103** • **TOTALCOSTINVOLVED.COM**