

# WINTER BUILDER SPECIALS

## FREE TCI JACKET(S)

+ **SAVE UP TO \$1,787**

+ **FREE UPGRADES**

+ **FREE SHIPPING\*** On Stage 1, 2, & 3

**ON COMPLETE SUSPENSION PACKAGE**

Offers End January 31st - Get Your Project Rolling!



Call Now **866.925.1103** Or Click Here For Complete Products **TOTALCOSTINVOLVED.com**

## '70-81 CAMARO, FIREBIRD & TRANS AM

### PRO TOURING IFS & TORQUE ARM PACKAGE

- True bolt-in with no cutting or welding required
- Greatly improves weight distribution by removing 120 lbs. off the front end.

[Click Here](#) for product details

**FREE Wilwood Calipers**

(\$400 Value)

**FREE Braided Stainless Brake Hoses**

**FREE Rear Anti-Sway Bar**

**FREE RideTech Coil-Overs**

**FREE Wilwood Master Cylinder Prop. Valve Combo**

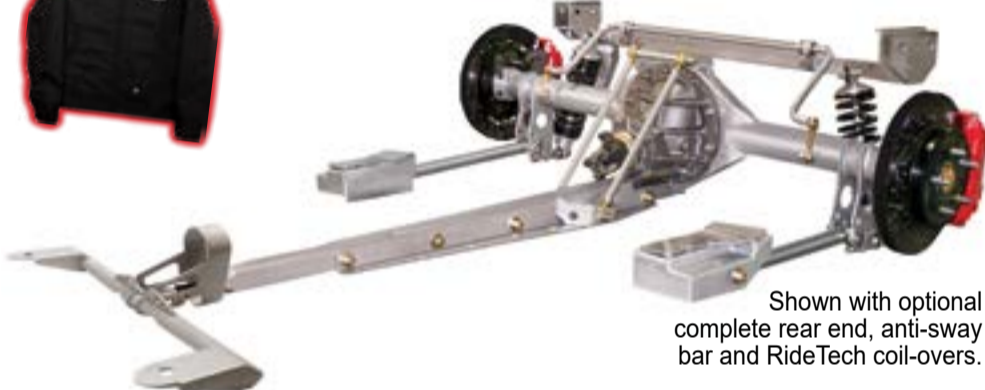
(\$335 Value)



**FREE Headers**



Shown with optional show package and 12" Wilwood brake kit.



Shown with optional complete rear end, anti-sway bar and RideTech coil-overs.

**Save \$1,104**

Retail: ~~\$8,034~~

Special Price: **\$7,265**

- Eliminates bind during articulation
- Lowered stance and center of gravity
- Dramatically improves handling.

[Click Here](#) for product details

Painting & powder coating for display only

### COMPLETE PACKAGE DEALS

**FREE GROUND SHIPPING**

**FREE Wilwood Master Cylinder Prop. Valve Combo**

(\$335 Value)



**FREE Headers**



Painting & powder coating for display only

**STAGE 1**

~~\$13,116~~

**Save \$1,312**  
**\$11,804**

#### Pro Touring IFS

- RideTech single adjustable coil-over shocks
- Black powder coated springs
- Bolt-in multi position transmission mount is included
- Greasable urethane bushings
- 1" Performance anti-roll bar
- 1 1/2" x .156w U.S. DOM steel lower tubular A-arms
- 1" x .156w U.S. DOM steel upper tubular A-arms
- Power rack and pinion
- Spindles (2" drop)
- Engine brackets
- Engine mounts (SBC, BBC or LSx)
- 11" Drilled & slotted zinc plated rotors
- Big bore calipers (with 20% better clamping force)

#### Torque Arm Rear Suspension

- Ridetech single adjustable coil-overs
- Adjustable pinion support tubes with rod ends with tabs and install tool
- Axle housing brackets with torque arm tabs and install tool
- 1 1/4" High Performance link bars
- 1 3/4" Torque arm with slider & reinforcing flanges
- 1 1/2" Coil-over crossmember with channel brackets
- 1" Adjustable Panhard bar with LH & RH rod ends
- 1 1/4" Crossmember with drive shaft loop
- 1 3/4" Sub-frame connectors
- Rear anti-roll bar kit (plain)
- Bolt-on trailing arm channel brackets
- Floor reinforcing plates and hardware
- Greasable urethane bushing
- All American coil-over shocks

#### Complete 9" Rear End

- Currie round back housing with late/large Ford bearing flanges (width of your choice)
- All TCI suspension bracketry installed and fixture welded
- Nodular 3rd member with your choice of new gear sets ranging from (3:00 to 4:56)
- 31 Spline axles with new tapered bearings, seals and axle studs
- 12" Hi-Tech rear disc brake kit (GM caliper)
- 1330 Yoke (long)
- Your choice of 4.5" or 4.75" bolt circles
- TSD Posi
- Gear lube and Posi lube

**STAGE 2**

~~\$15,082~~  
**Save \$1,508**  
**\$13,574**

- Upgrade to 12" Wilwood drilled/slotted rotors & 4 piston calipers
- Upgrade from TSD (clutch type) to Tru-Trac (gear type) Posi

**STAGE 3**

~~\$17,870~~  
**Save \$1,787**  
**\$16,083**

- Upgrade to 13" Wilwood drilled/slotted rotors and 6 piston (front) & 4 Piston (rear) calipers
- Upgrade from TSD (clutch type) to Tru-Trac (gear type) Posi
- Upgrade from the round back 9" housing to a Fabricated 9 (F9)

\*Call for details



**DUAL WARRANTY**  
LIFETIME WARRANTY ON TCI MANUFACTURED ITEMS  
6 YEAR/60,000 MILE WARRANTY ON WEAR & TEAR ITEMS

**FAST SHIPPING**  
MADE IN USA - UNMATCHED WARRANTY

CALL NOW! **866.925.1103**

OR CLICK! **TOTALCOSTINVOLVED.COM**